



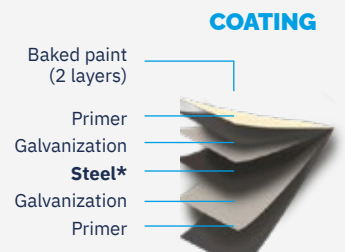
**Wide Grooves and
Modern Design**

Illustrated model: Grooved (GX)



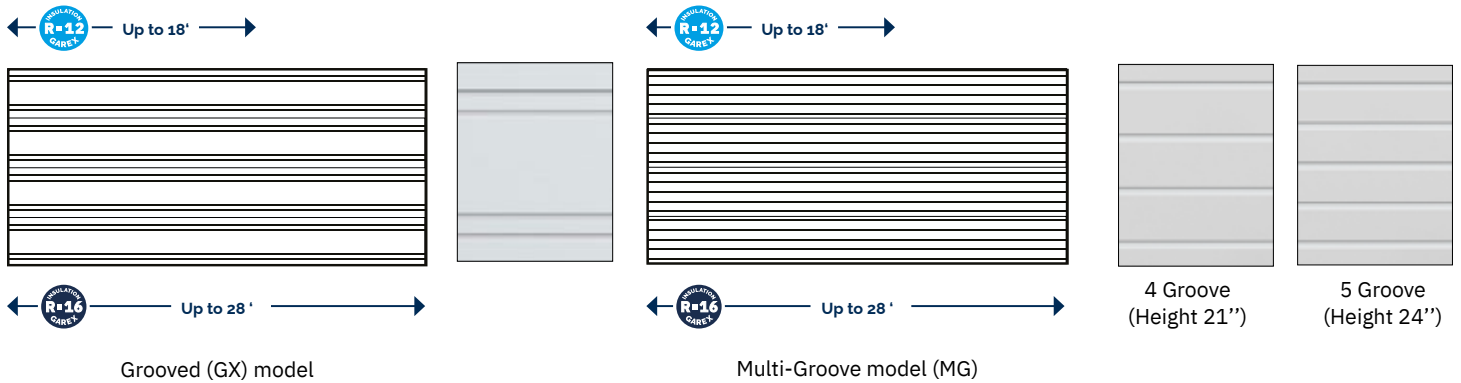
Grooved series

Discover our Grooved series. Its distinctive feature lies in its wide grooves, offering a modern and sleek aesthetic. For architecture enthusiasts, this series will appeal to you with its linear aspect and sobriety.

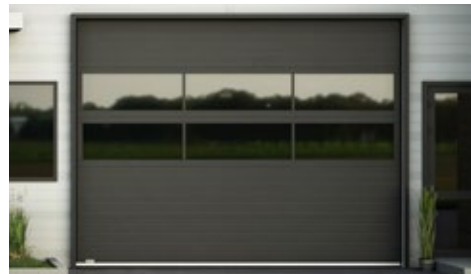


*For aluminum coating, chromate pretreatment is used instead of galvanization.

Available configurations



Discover your style



Illustrated model: Grooved GX

Color chart

Galvanized Steel



Aluminum



GENTEK.
Available in the color of your choice.
**Additional charges apply.*

Technical information

Panel height	18", 21 and 24 inches (45, 53 and 60 cm)
Panel width	1 3/8": Up to 18 feet (5,48 m) 1 3/4": Up to 28 feet (8,53 m)
Door Thickness	1 3/8" (34,93 mm) / RSI 2,11 (R-12) 1 3/4" (44,45 mm) / RSI 2,81 (R-16)
Windows	1 3/8": Standard injected frame (1520 or 1542) 1 3/4": Standard injected frame (24x12 or 40x13)
Metal Thickness	26 ga Steel : 0,47 mm (0,0185 in) 23 ga Aluminum : 0,61 mm (0,024 in)
Insulation	High-density polyurethane meeting the highest environmental standards.
End Block	Made of 100% recycled materials - A Garex exclusivity.
Coating	Baked Polyester (2 layers)
Texture	Woodgrain

*The MG (Multi-Groove) model is not available in 18 inches (45 cm) height.